



# ALL IN ONE PLUG-N-PLAY MADE IN THE U S A

Invadiolite™

ALL IN ONE PLUG-N-PLAY  
FIXTURE INCLUDES:

## Premier Full Body High Bay



This is a high efficiency high bay with premium performance in medium and low ceiling applications ideally suited for warehouses, manufacturing plants, sports facilities and retail spaces. A precision-formed reflector system available in either highly reflective mirror or enhanced white reflector achieve maximum light output for ceilings from 15 feet to 25 feet. The unique lamp arrangement is ideal for wide area lighting to put the light exactly where you need it with less fixtures. The all in one high bay fixtures utilize efficient LED T8 lamps that provide high lumen output with efficient energy savings. Since they don't require any ballast or driver the only component that will ever need changing is the LED T8 lamp. The lamps are warranted for five years. Unlike high bay fixtures that utilize LED arrays and drivers these fixtures have the flexibility to change wattage, lumens, and color temperature simply by changing the lamps without the need to call a licensed electrician. Based on ceiling height, these fixtures can replace HID high bays using half of the wattage. Optional wireguard allows easy lamp access. Highest quality materials and workmanship.

### LAMP

4, 6, 8, 10 or 12 lamp positions

### CONSTRUCTION

Housing is 22 gauge prepainted steel. Air vents surround the ballast and lamps in the back of the fixture to maximize lamp and ballast performance, reliability and life. High reflective mirror or enhanced white reflectors are computer designed to maximize photometric performance and put the light where you need it. Reflector snaps into fixture with no tools and is easily removable for ballast maintenance. Access plate in the back makes wiring fast and hassle-free. Back of fixture is designed with built-in mounting holes for tong hanger, cable kit and surface mount. Uplight slots are optional to add uplight. Integral Occupancy Sensor is optional on 6 light series which is ideal for wire guard applications.

### PRODUCT NUMBER:

**H6L432M23X2-C6515P-USA-CUST ILM-ALT8-44FTAB-ZZ-CCT**

- 4-Invadiolite™ 11472 T8 color select / watt select LED tubes
- 2-Hooks
- 4-Clips
- 6'-Cord with ground

## Industrial Lighting of Michigan "Innovating Michigan Businesses through Advanced LED Technologies"



## BE PROUD, BE THE EXCEPTION!



cs@industriallightingmi.com  
www.industriallightingmi.com  
(989)745-4403

NOTE: THE ALL IN ONE FIXTURE IS MANUFACTURED IN THE USA. THE INVADIOLITE LED TUBES ARE MANUFACTURED EXCLUSIVELY FOR MICHIGAN, HOWEVER, THEY ARE NOT CURRENTLY MANUFACTURED IN THE USA. TIME EXPECTED TO BE MANUFACTURED IN USA IS BY JAN 1 2024.



# Invadiolite™ 11472

Plastic/Aluminum  
Material

Single- or Double-Ended Wiring | 5 CCT & 3 Wattage Tunable

## DESCRIPTION

Plastic/Aluminum / 4' led T8 tube / G-13 base

Wattage 15w-18w-22w Tunable

CCT

3500K-4000K-5000K-5700K-6500K

CRI >80 Tunable

Beam angle 120°

Warranty 5 years

## PRODUCT FEATURES

- Compatible with most instant- and programmed-start electronic T8 ballasts
- Bypass ballast runs on 120-277V line voltage
- Single- or double-ended wiring
- CCT & wattage tunable switchable
- 50,000+ hour lifetime
- Suitable for dry and damp indoor locations
- Operating temperature -4°F to +113°F
- ETL Listed



## LAMP CODE DEFINITIONS

ILM-ALT8-4FTAB-ZZ-CCT

### HYBRID TYPE A + B

- ① Factory code
- ② Plastic / Aluminum T8 tubes
- ③ Nominal Length
- ④ TYPE A + B
- ⑤ Wattage
- ⑥ Color Temperature

# Invadiolite™

INDUSTRIAL LIGHTING OF  
MICHIGAN

"Innovating Michigan Businesses  
through advanced LED Technologies"



cs@industriallightingmi.com  
www.industriallightingmi.com  
(989)745-4403



# Invadiolite™

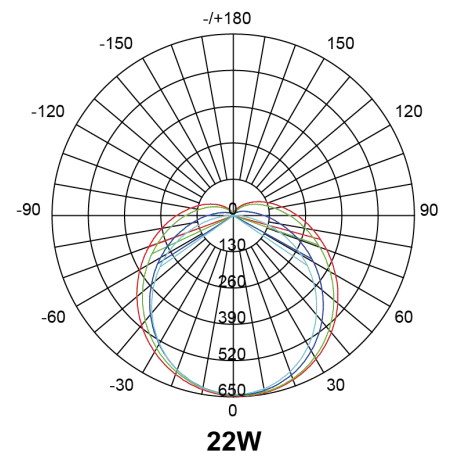
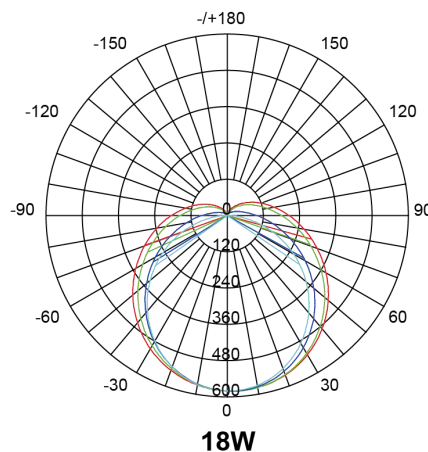
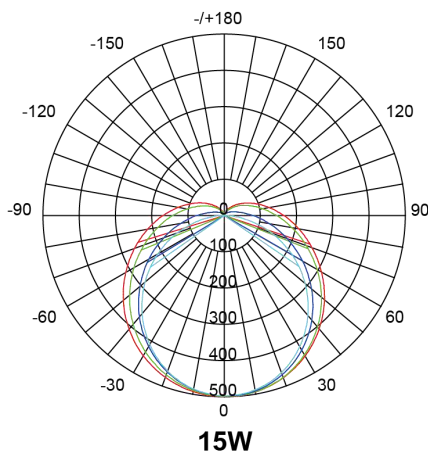
# 11472

## Single- or Double-Ended Wiring | 5 CCT & 3 Wattage Tunable

### SPECIFICATIONS

SKU			
Model No.	ILM-ALT8-4FTAB-ZZW-CCT		
Wattage	15W	18W	22W
Efficacy	135LPW	130LPW	126LPW
Luminous Flux	2000lm ± 5%	2300lm ± 5%	2700lm ± 5%
Input Current	130mA	160mA	200mA
Color Temperature	3500K / 4000K / 5000K / 5700K / 6500K		
Input Voltage	AC 120-277V, 50/60Hz		
THD	≤20%		
Flicker	Flicker		
Power Factor	≥0.95		
Wire Connection	Single- or Double-Ended Wiring		
Cover	Frosted		
IP Rate	IP20		
Working Temperature	-20°C ~ +55°C / -4°F ~ +131°F		
Storage Temperature	-40°C ~ +60°C / -40°F ~ +140°F		
Lifespan	50000h		

### DISTRIBUTION CURVE



[cs@industriallightingmi.com](mailto:cs@industriallightingmi.com)  
[www.industriallightingmi.com](http://www.industriallightingmi.com)  
 (989)745-4403

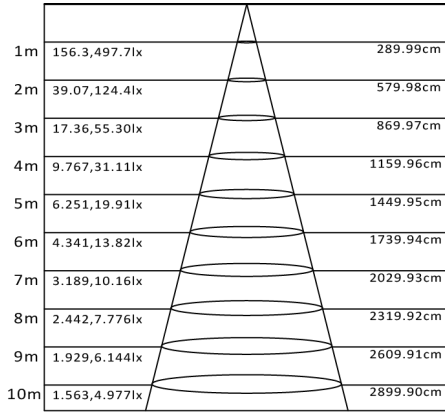


# Invadiolite™

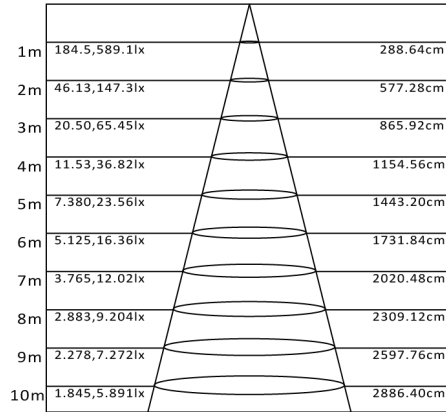
# 11472

## Single- or Double-Ended Wiring | 5 CCT & 3 Wattage Tunable

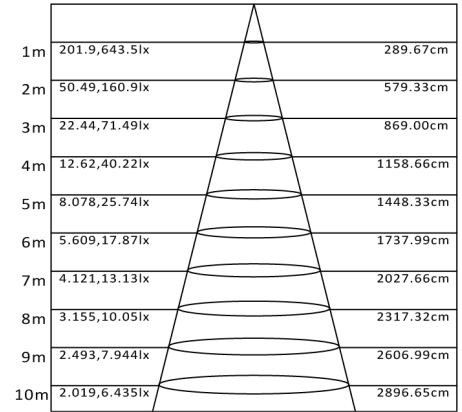
### DISTANCE CURVE



15W



18W



22W

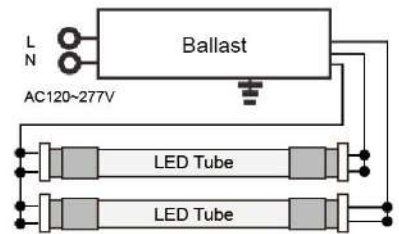
### INSTALLATION INSTRUCTIONS

#### DIRECT REPLACEMENT (WITH EXISTING BALLAST)

\* Warning: Check Ballast Compatibility List before installation

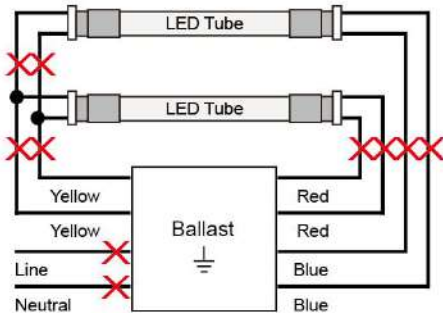
1. Turn power off.
2. Remove lens or diffuser, if applicable.
3. Remove existing fluorescent lamp(s) from the luminaire.
4. Install the LED replacement lamp(s), one lamp for each fluorescent lamp removed\*.
5. Replace lens or diffuser back in place, if applicable.
6. Turn power back on.

#### PLUG & PLAY

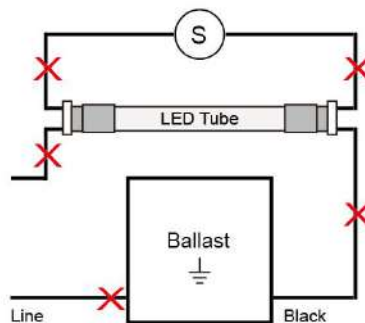


#### BYPASS REPLACEMENT (WITHOUT BALLAST)

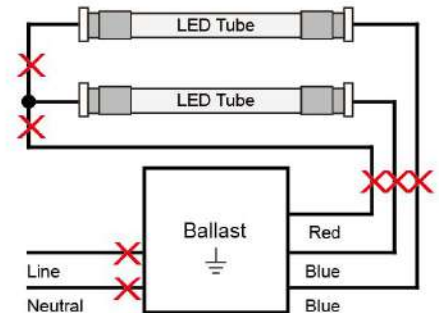
1. Disconnect power from fixture.
2. Remove fluorescent lamps.
3. Remove lens and wiring compartment, if applicable.
4. Cut all wires connected to ballast (see Figure A: Typical Ballast Configurations).



PROGRAM START



PREHEAT WITH STARTER



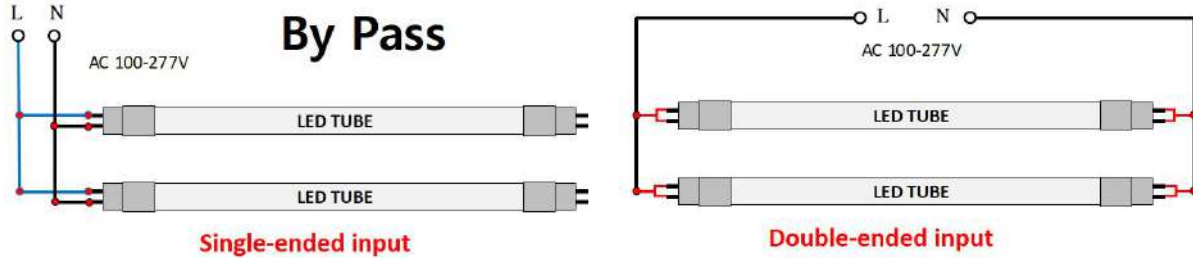
INSTANT START



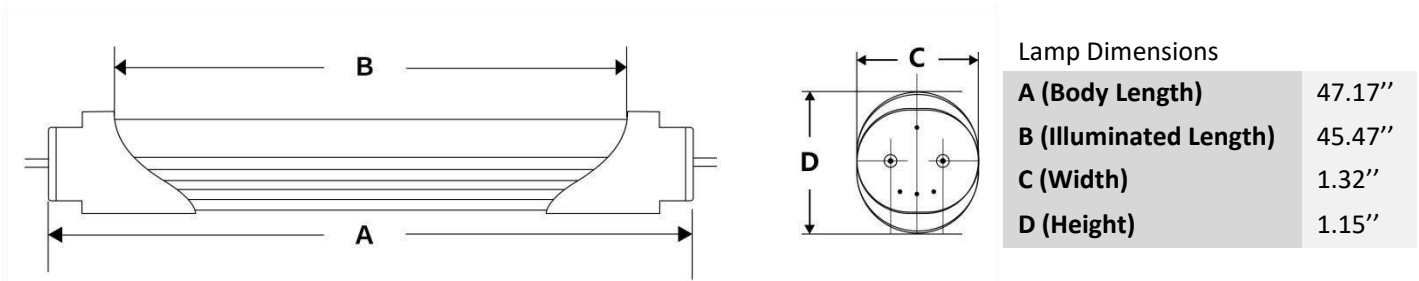
# Invadiolite™

# 11472

**Single- or Double-Ended | 5 CCT & 3 Wattage Tunable**



**PHYSICAL CHARACTERISTICS**



## INDUSTRIAL LIGHTING OF MICHIGAN LLC

[cs@industriallightingmi.com](mailto:cs@industriallightingmi.com)  
[www.industriallightingmi.com](http://www.industriallightingmi.com)  
 (989)745-4403