



ALL IN ONE PLUG-N-PLAY MADE IN THE U S A

Invadiolite™

ALL IN ONE PLUG-N-PLAY
FIXTURE INCLUDES:

Premier Full Body High Bay



- 4-Invadiolite™ 11471
- T8 5k / LED tubes
- 2-Hooks
- 4-Clips
- 6'-Cord with ground

This is a high efficiency high bay with premium performance in medium and low ceiling applications ideally suited for warehouses, manufacturing plants, sports facilities and retail spaces. A precision-formed reflector system available in either highly reflective mirror or enhanced white reflector achieve maximum light output for ceilings from 15 feet to 25 feet. The unique lamp arrangement is ideal for wide area lighting to put the light exactly where you need it with less fixtures. The all in one high bay fixtures utilize efficient LED T8 lamps that provide high lumen output with efficient energy savings. Since they don't require any ballast or driver the only component that will ever need changing is the LED T8 lamp. The lamps are warranted for five years. Unlike high bay fixtures that utilize LED arrays and drivers these fixtures have the flexibility to change wattage, lumens, and color temperature simply by changing the lamps without the need to call a licensed electrician. Based on ceiling height, these fixtures can replace HID high bays using half of the wattage. Optional wireguard allows easy lamp access. Highest quality materials and workmanship.

LAMP

4, 6, 8, 10 or 12 lamp positions

CONSTRUCTION

Housing is 22 gauge prepainted steel. Air vents surround the ballast and lamps in the back of the fixture to maximize lamp and ballast performance, reliability and life. High reflective mirror or enhanced white reflectors are computer designed to maximize photometric performance and put the light where you need it. Reflector snaps into fixture with no tools and is easily removable for ballast maintenance. Access plate in the back makes wiring fast and hassle-free. Back of fixture is designed with built-in mounting holes for tong hanger, cable kit and surface mount. Uplight slots are optional to add uplight. Integral Occupancy Sensor is optional on 6 light series which is ideal for wire guard applications.

PRODUCT NUMBER:

H6L432M23X2-C6515P-USA-CUST ILM-ALT8-4FTAB-18W-50K

Industrial Lighting of Michigan
"Innovating Michigan Businesses through Advanced LED Technologies"



BE PROUD, BE THE EXCEPTION!



cs@industriallightingmi.com
 www.industriallightingmi.com
 (989)745-4403

NOTE: THE ALL IN ONE FIXTURE IS MANUFACTURED IN THE USA. THE INVADIOLITE LED TUBES ARE MANUFACTURED EXCLUSIVELY FOR MICHIGAN, HOWEVER, THEY ARE NOT CURRENTLY MANUFACTURED IN THE USA. TIME EXPECTED TO BE MANUFACTURED IN USA IS BY JAN 1 2024.



Invadiolite™ 11471

Plastic/ALUMINUM
Material

Single- or Double-Ended Wiring

DESCRIPTION

Plastic / Aluminum | 4' LED T8 Tubes | G-13 Base

WATTAGE 12w/15w/18w/22w

CCT 3000K-6500K

CRI >80

BEAM ANGLE 120°

WARRANTY 5 years



- Compatible with most instant- and programmed-start electronic T8 ballasts
- Bypass ballast runs on 120-277V line voltage
- Single- or double-ended wiring
- 50,000+ hour lifetime
- Suitable for dry and damp indoor locations
- Operating temperature -4°F to +113°F
- ETL Listed

LAMP CODE DEFINITIONS

ILM-ALT8-4FTAB-18W-50K

HYBRID TYPE A + B

- ① Factory code
- ② Plastic / Aluminum T8 tubes
- ③ Nominal Length
- ④ TYPE A + B
- ⑤ Wattage
- ⑥ Color Temperature

Invadiolite™

Industrial Lighting of Michigan

"Innovating Michigan Businesses
through Advanced LED Technologies"



cs@industriallightingmi.com
www.industriallightingmi.com
 (989)745-4403



INDUSTRIAL LIGHTING OF MICHIGAN LLC

Invadiolite™

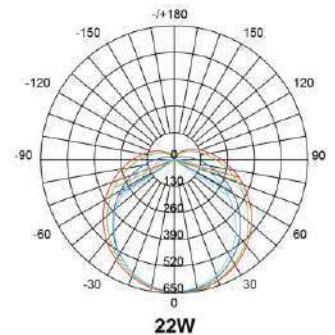
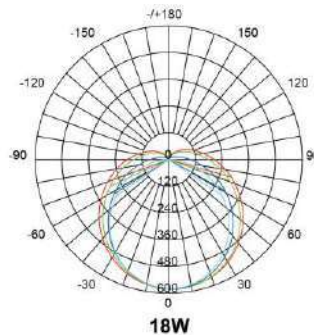
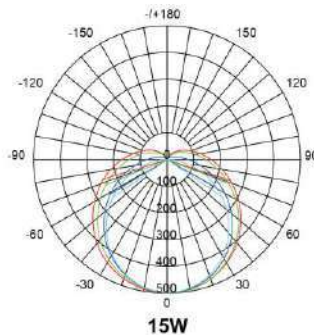
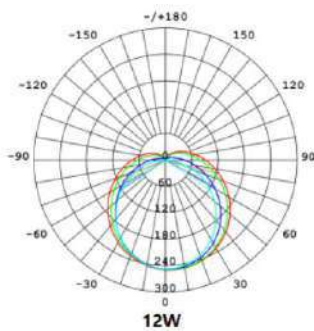
Single- or Double-Ended Wiring

11471

SPECIFICATIONS

SKU				
Model No.	ILM-ALT8-4FTAB-12W-X)	ILM-ALT8-4FTAB-15W-X)	ILM-ALT8-4FTAB-18W-X)	ILM-ALT8-4FTAB-22W-X)K
Wattage	12W	15W	18W	22W
Efficacy	140LPW	135LPW	130LPW	126LPW
Luminous Flux	1600lm ± 5%	2000lm ± 5%	2300lm ± 5%	2700lm ± 5%
Input Current	105mA	130mA	160mA	200mA
Color Temperature	3000K -6500K			
Input Voltage	AC 120-277V, 50/60Hz			
THD	≤20%			
Flicker	Flicker			
Power Factor	≥0.95			
Wire Connection	Single- or Double-Ended Wiring			
Cover	Frosted			
IP Rate	IP20			
Working Temperature	-20°C ~ +55°C / -4°F ~ +131°F			
Storage Temperature	-40°C ~ +60°C / -40°F ~ +140°F			
Lifespan	50000h			

DISTRIBUTION CURVE



cs@industriallightingmi.com
www.industriallightingmi.com
 (989)745-4403

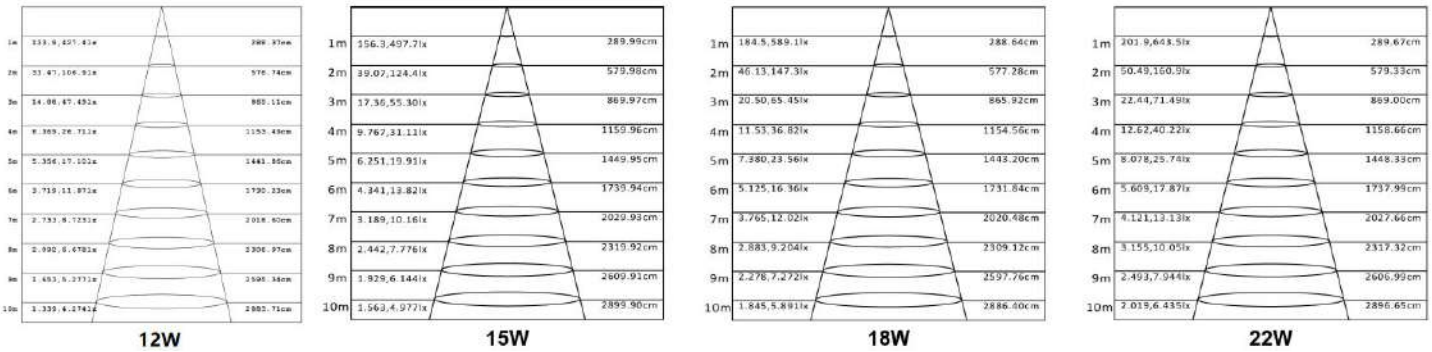


Invadiolite™

11471

Single-or Double-Ended Wiring

DISTANCE CURVE

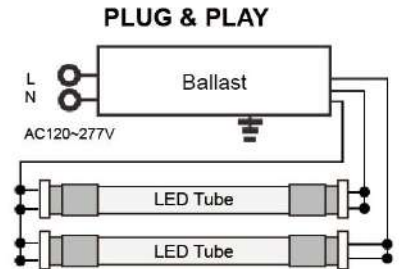


INSTALLATION INSTRUCTIONS

DIRECT REPLACEMENT (WITH EXISTING BALLAST)

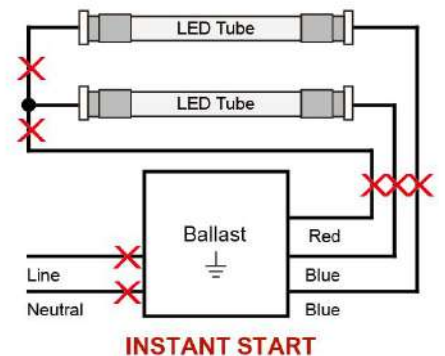
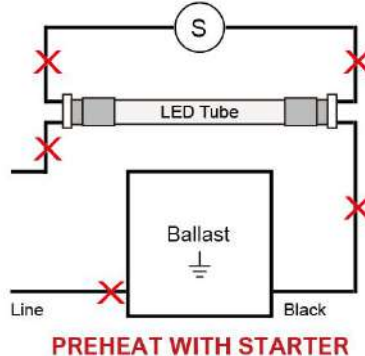
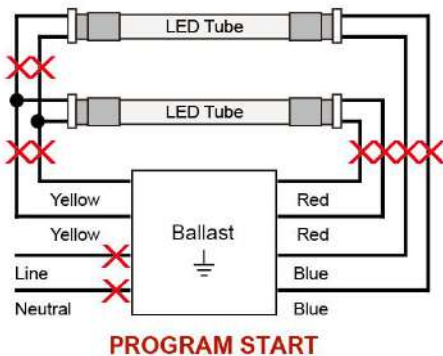
WARNING: CHECK BALLAST COMPATIBILITY BEFORE INSTALLATION

1. Turn power off.
2. Remove lens or diffuser, if applicable.
3. Remove existing fluorescent lamp(s) from the luminaire.
4. Install the LED replacement lamp(s), one lamp for each fluorescent lamp removed*.
5. Replace lens or diffuser if applicable.
6. Turn power back on.



BYPASS REPLACEMENT (WITHOUT BALLAST)

1. Disconnect power from fixture.
2. Remove fluorescent lamps.
3. Remove lens and wiring compartment, if applicable.
4. Cut all wires connected to ballast (see Figure A: Typical Ballast Configurations).

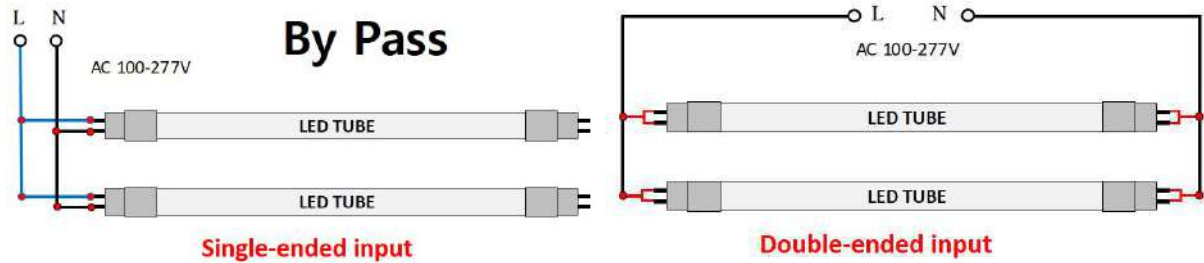




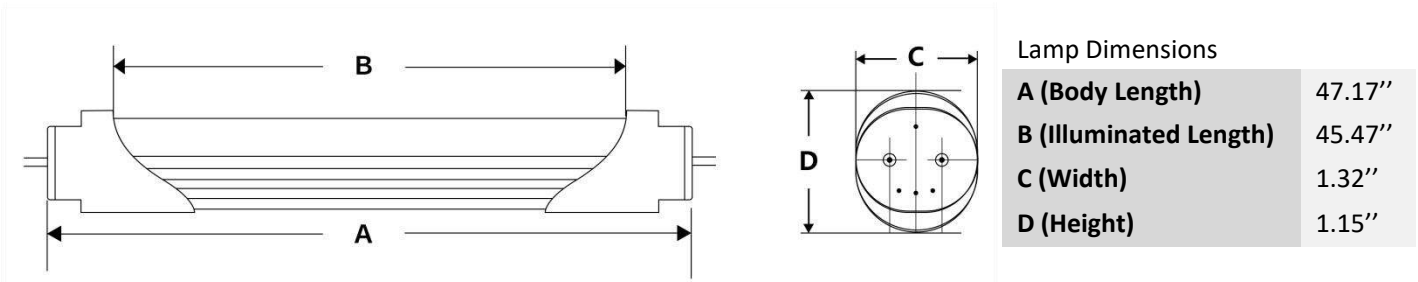
Invadiolite™

11471

Single- or Double-Ended Wiring



PHYSICAL CHARACTERISTICS



PACKAGE

cs@industriallightingmi.com
www.industriallightingmi.com
 (989)745-4403

INDUSTRIAL LIGHTING OF MICHIGAN LLC