



Invadiolite™ 11472

Plastic/Aluminum
Material

Single- or Double-Ended Wiring | 5 CCT & 3 Wattage Tunable

DESCRIPTION

Plastic/Aluminum / 4' led T8 tube / G-13 base

Wattage 15w-18w-22w Tunable

CCT

3500K-4000K-5000K-5700K-6500K

CRI >80 Tunable

Beam angle 120°

Warranty 5 years

PRODUCT FEATURES

- Compatible with most instant- and programmed-start electronic T8 ballasts
- Bypass ballast runs on 120-277V line voltage
- Single- or double-ended wiring
- CCT & wattage tunable switchable
- 50,000+ hour lifetime
- Suitable for dry and damp indoor locations
- Operating temperature -4°F to +113°F
- ETL Listed



LAMP CODE DEFINITIONS

ILM-ALT8-4FTAB-ZZ-CCT

HYBRID TYPE A + B

- ① Factory code
- ② Plastic / Aluminum T8 tubes
- ③ Nominal Length
- ④ TYPE A + B
- ⑤ Wattage
- ⑥ Color Temperature

Invadiolite™

INDUSTRIAL LIGHTING OF
MICHIGAN

"Innovating Michigan Businesses
through advanced LED Technologies"



cs@industriallightingmi.com
www.industriallightingmi.com
(989)745-4403



Invadiolite™

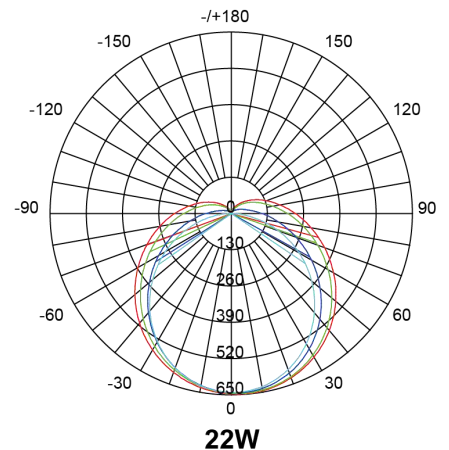
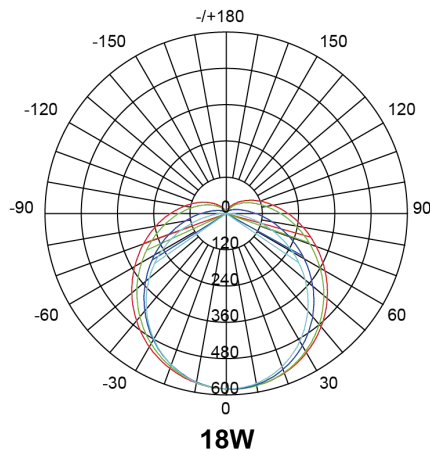
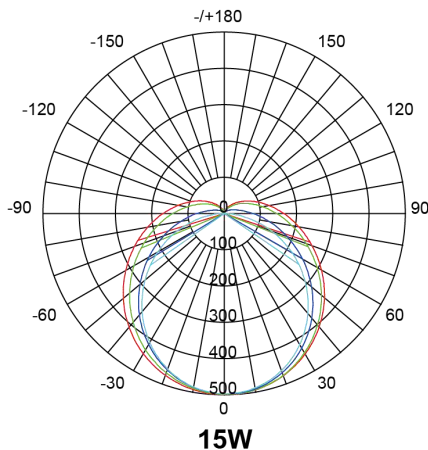
11472

Single- or Double-Ended Wiring | 5 CCT & 3 Wattage Tunable

SPECIFICATIONS

SKU			
Model No.	ILM-ALT8-4FTAB-ZZW-CCT		
Wattage	15W	18W	22W
Efficacy	135LPW	130LPW	126LPW
Luminous Flux	2000lm ± 5%	2300lm ± 5%	2700lm ± 5%
Input Current	130mA	160mA	200mA
Color Temperature	3500K / 4000K / 5000K / 5700K / 6500K		
Input Voltage	AC 120-277V, 50/60Hz		
THD	≤20%		
Flicker	Flicker		
Power Factor	≥0.95		
Wire Connection	Single- or Double-Ended Wiring		
Cover	Frosted		
IP Rate	IP20		
Working Temperature	-20°C ~ +55°C / -4°F ~ +131°F		
Storage Temperature	-40°C ~ +60°C / -40°F ~ +140°F		
Lifespan	50000h		

DISTRIBUTION CURVE



cs@industriallightingmi.com
www.industriallightingmi.com
 (989)745-4403



Invadiolite™

11472

Single- or Double-Ended Wiring | 5 CCT & 3 Wattage Tunable

DISTANCE CURVE

1m	156.3,497.7lx	289.99cm
2m	39.07,124.4lx	579.98cm
3m	17.36,55.30lx	869.97cm
4m	9.767,31.11lx	1159.96cm
5m	6.251,19.91lx	1449.95cm
6m	4.341,13.82lx	1739.94cm
7m	3.189,10.16lx	2029.93cm
8m	2.442,7.77lx	2319.92cm
9m	1.929,6.14lx	2609.91cm
10m	1.563,4.97lx	2899.90cm

15W

1m	184.5,589.1lx	288.64cm
2m	46.13,147.3lx	577.28cm
3m	20.50,65.45lx	865.92cm
4m	11.53,36.82lx	1154.56cm
5m	7.380,23.56lx	1443.20cm
6m	5.125,16.36lx	1731.84cm
7m	3.765,12.02lx	2020.48cm
8m	2.883,9.20lx	2309.12cm
9m	2.278,7.27lx	2597.76cm
10m	1.845,5.89lx	2886.40cm

18W

1m	201.9,643.5lx	289.67cm
2m	50.49,160.9lx	579.33cm
3m	22.44,71.49lx	869.00cm
4m	12.62,40.22lx	1158.66cm
5m	8.078,25.74lx	1448.33cm
6m	5.609,17.87lx	1737.99cm
7m	4.121,13.13lx	2027.66cm
8m	3.155,10.05lx	2317.32cm
9m	2.493,7.94lx	2606.99cm
10m	2.019,6.43lx	2896.65cm

22W

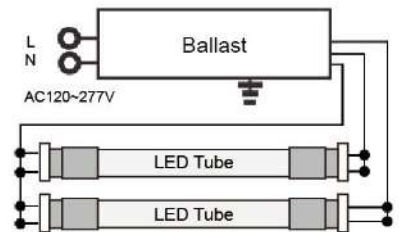
INSTALLATION INSTRUCTIONS

DIRECT REPLACEMENT (WITH EXISTING BALLAST)

* Warning: Check Ballast Compatibility List before installation

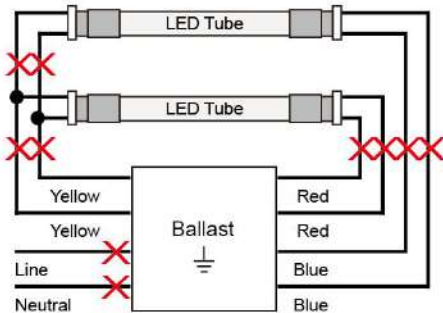
1. Turn power off.
2. Remove lens or diffuser, if applicable.
3. Remove existing fluorescent lamp(s) from the luminaire.
4. Install the LED replacement lamp(s), one lamp for each fluorescent lamp removed*.
5. Replace lens or diffuser back in place, if applicable.
6. Turn power back on.

PLUG & PLAY

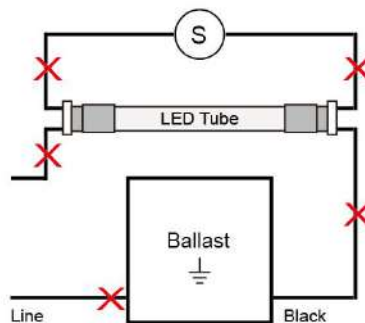


BYPASS REPLACEMENT (WITHOUT BALLAST)

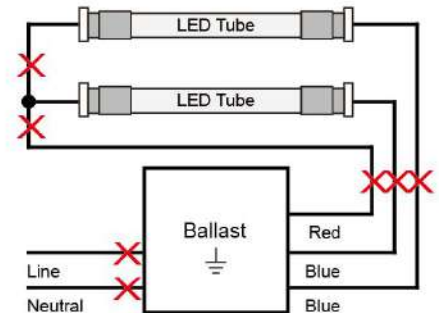
1. Disconnect power from fixture.
2. Remove fluorescent lamps.
3. Remove lens and wiring compartment, if applicable.
4. Cut all wires connected to ballast (see Figure A: Typical Ballast Configurations).



PROGRAM START



PREHEAT WITH STARTER



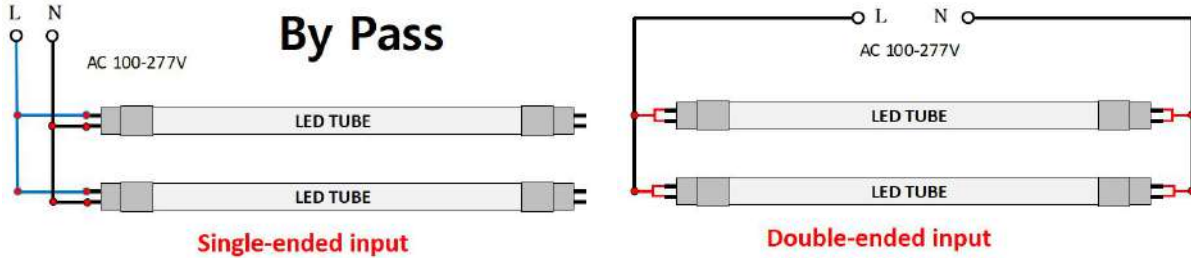
INSTANT START



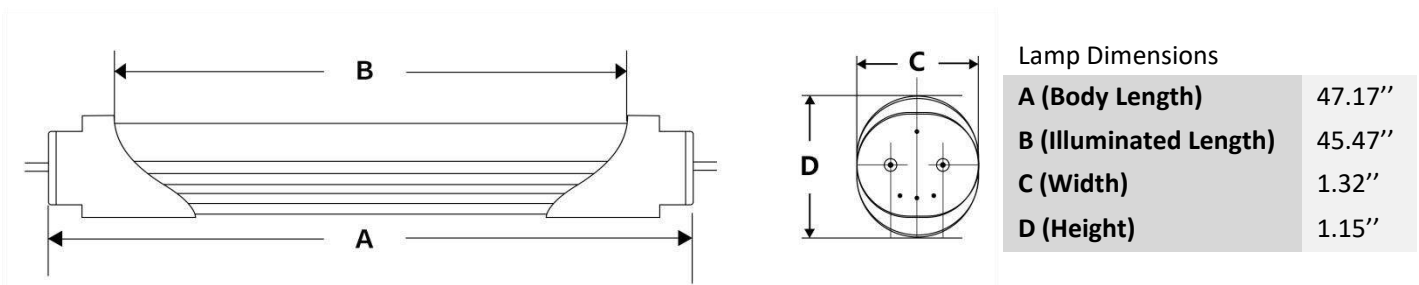
Invadiolite™

11472

Single- or Double-Ended | 5 CCT & 3 Wattage Tunable



PHYSICAL CHARACTERISTICS



INDUSTRIAL LIGHTING OF MICHIGAN LLC

cs@industriallightingmi.com
www.industriallightingmi.com
 (989)745-4403