



DESCRIPTION

SB-CD-RD, wireless CCT Adjustable & Dimmable panel Light can support 100ft as remote control distance, control a single panel or whole floor with one handheld remote control or wall remote control. Communicates through walls with the radio frequency (RF) of 2.4GHZ,

LED Luminaries, utilizing an aluminium frame, 0.31" ultrathin side emitting design and high transmittance light guide plate, provides uniform light distribution with colour temperature consistency. All size options are both energy efficient and aesthetically pleasing.

The SB-CD-RD LED series was designed for offices, hallways, general area lighting, conference rooms and lobbies.

2.4G RF Wireless Adjustable CCT and Dim Flat Panel



OVERVIEW:

- Efficiency: Up to 110 LPW
- Delivered Lumens: Up To 5,500 lumens
- Input Power: 2'x2': 40W, 1'x4':40W, 2'X4' 50W
- CCT: 3000K-5000K
- UL/cUL, DLC, Damp Location Listed
- CRI: > 80
- Input Voltage: 2.4G RF dim 100-277v or 120-347V, EM available
- Limited Warranty: 5Years, 50,000-hour
- Operating temperature: -20°C to 50°C
- Power factor > 0.95

SPECIFICATION FEATURES

Construction

High-grade aluminum frame. Isolated driver box, ultrathin design and long life SMD chips.

Thermal Management

The SB-CD-CR series frame is constructed of high-grade aluminum acting as a large surface area heat sink that greatly improves heat dissipation and performance.

. This enables the Luminaries to withstand higher ambient temperatures without degrading LED life.

Controls

CCT adjustable & dimmable panel light can support 100ft as remote control distance, control a single panel or whole floor with one handheld remote control or wall remote control. Communicates through walls with the radio frequency (RF) of 2.4GHZ

Electrical

LED driver and related electrical components are hard wired and mounted to the housing for optimal heat sinking and operating efficiency. 2.4G RF dim 120-277V Universal standard, or 347V 50/60Hz, 0. Operating temperature range of -20°C to 50°C

Mounting Options

* The SB-CD-CR series flat panel fixtures can be mounted in standard T-bar frame.
* Surface mount or suspension kits are available.

Compliance

cULus listed for Damp location
-20°C- 45°C, -40°F to 122°F FCC listed, RoHS compliant and LED modules comply with IESNA LM-79 and LM-80 standards.

Finish

With a minimum of 3-5 millimeter thickness. Finish is oven-baked at 400 °F to promote maximum adherence and finish hardness. Fixtures comes in standard white or silver. Custom colors are available.

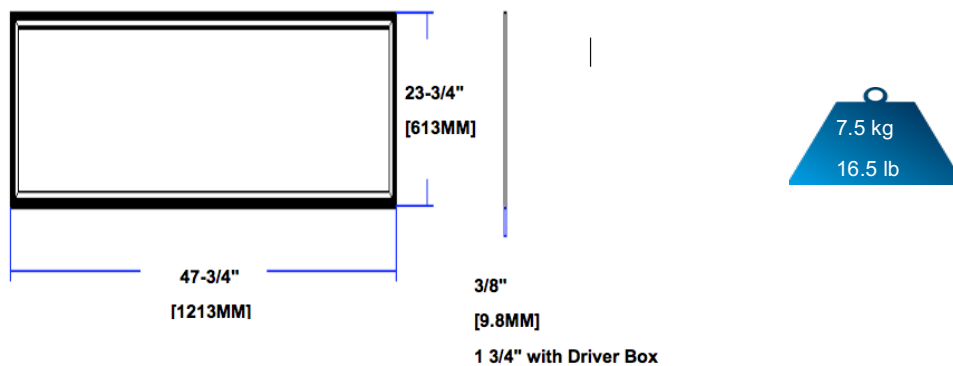
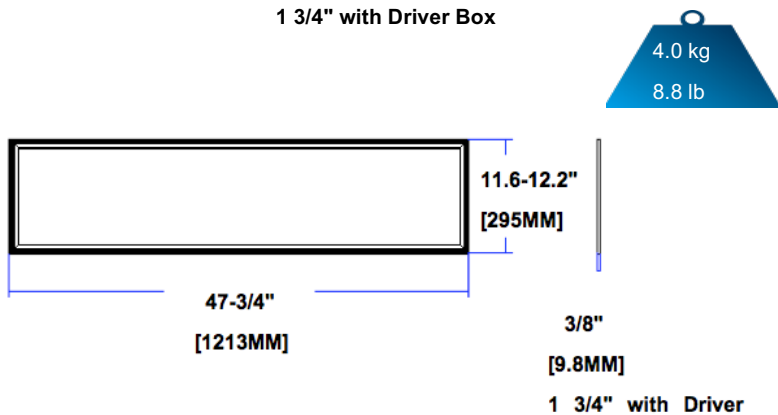
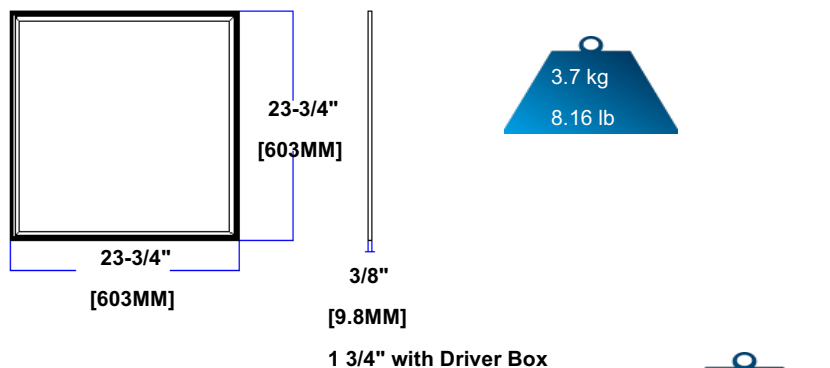
Warranty

5-year limited warranty.

Optics

120° beam angle is perfect for uniformity.

DIMENSION



MODEL SELECTION:

Example: SB-CD2X2FT-40W-RD

Products series	Wattage	Type
*SB-CD2X2FT	*40W	*RD=Wireless dimmable & color adjustable
SB-CD1X4FT	40W	
SB-CD2X4FT	50W	

LUMEN OUTPUT

SB-CD-RD LED CCT Adjustabel Panel

GENERAL PERFORMANCE								
2'x2' Wattage ±10%	2'x2' Kelvin ±10%	2'x2' Lumen ±10%	1'x4' Wattage ±10%	1'x4' Kelvin ±10%	1'x4' Lumen ±10%	2'x4' Wattage ±10%	2'x4' Kelvin±10%	2'x4' Lumen ±10%
40W	3000K	4400	40W	3000K	4400	50w	3000K	5500
	3500K			3500K				
	4000K			4000K				
	4500K			4500K				
	5000K			5000K				

ACCESSORY ORDERING:

ACCESSORY ITEMS	MODEL NUMBER	DESCRIPTION
OPTIONS	SB-PM 2x2FT	2X2FT flat panel Surface Mounting Kit
	SB-PM 1x4FT	1X4FT flat panel Surface Mounting Kit
	SB-PM 2x4FT	2X4FT flat panel Surface Mounting Kit
	SB-PSC	Drywall Hanging Kit 2pcs/set for 2x2
	SB-PSC3	Drywall Hanging Kit 3pcs/set for 1x4, 2x4
	SB-EBP/5W/B	Factory installed Remote Emergency Battery Pack 5w 90 minutes
	SB-EBP/10.7W/B	Factory installed Remote Emergency Battery Pack 10.7w 90 minutes
	SB-CR-R +Holder	Handheld remote control with remote holder
	SB-CR-W	Wall remote control

Package information:

2'X2': 2 pcs/carton, carton size: 25"x 2.9"x 25", weight:17.2lb, 52pc per pallet
 1'x4' : 2 pcs/carton, carton size: 49.2"x 3.1"x 13.8", weight: 17.6lb, 52pc per pallet
 2'x4': 2pcs/carton, carton size: 49.2"x 2.9"x 25.2", weight: 33lb, 26 pcs per pallet